

Solid Front Safety Pressure Gauge

Model No. **SF-3020 Series**

KINS



SF-3021 100mm

Summary

This gauge is very safe even when the pressure increases because the front side is strong and made of blow out back. The appearance is beautiful because the case, cover and the connecting part are made of stainless steel and the pressure gauge has high corrosive resistance and inner chemical capability.

Safety Management

- Be sure to install a protecting device where exist abrupt change of pressure, vibration and pulsation.
- Do not give impact during the transportation, installation and usage.
- Be sure to install pressure gauge to be horizontal and vertical.

Purpose of Use

- Power plants (thermal, hydraulic, nuclear)
- Various plants of chemistry, refinery, shipbuilding, etc.
- Food industry

Production Specification

- ▶ **Diameter**
 - 100 mm
- ▶ **Accuracy**
 - $\pm 1.0\%$ of Full Scale
- ▶ **Scale Range**
 - $-1 \sim 0$ to $0 \sim 200$ MPa
- ▶ **Working Pressure**
 - Static pressure : 75% of Full Scale
 - Fluctuating pressure : 60% of Full Scale
- ▶ **Working Temperature**
 - Ambient : $-20 \sim 65$ °C
 - Fluid : $-20 \sim 80$ °C

Product Specification

<p>+ Case</p> <ul style="list-style-type: none"> · STS 304 	<p>+ Pointer</p> <ul style="list-style-type: none"> · Aluminum · Black coating 	<p>+ Dial</p> <ul style="list-style-type: none"> · Aluminum · White color coating · Black (MPa), red (bar) gradations and characters
<p>+ Window</p> <ul style="list-style-type: none"> · Tempered safety glass, · Laminated safety glass 	<p>+ Element</p> <ul style="list-style-type: none"> · STS 304, STS 316 · C type bourdon tube, helical type bourdon tube 	<p>+ Option</p> <ul style="list-style-type: none"> · Bracket · Throttles · Accessories
<p>+ Cover</p> <ul style="list-style-type: none"> · STS 304 · Bayonet Type 	<p>+ Movement</p> <ul style="list-style-type: none"> · STS 304 	
<p>+ Connection</p> <ul style="list-style-type: none"> · STS 316 · PF, PT, NPT ↔ 3/8, 1/2 	<p>+ Type</p> <ul style="list-style-type: none"> · A-Type (Rimless type) [Solid Front Type] 	

Pressure Gauge

Differential Pressure Gauge & Switch

Accessories of Pressure Gauge

Thermometer & Thermometer Switch

Thermocouple & R.T.D

Thermowell

Transmitter

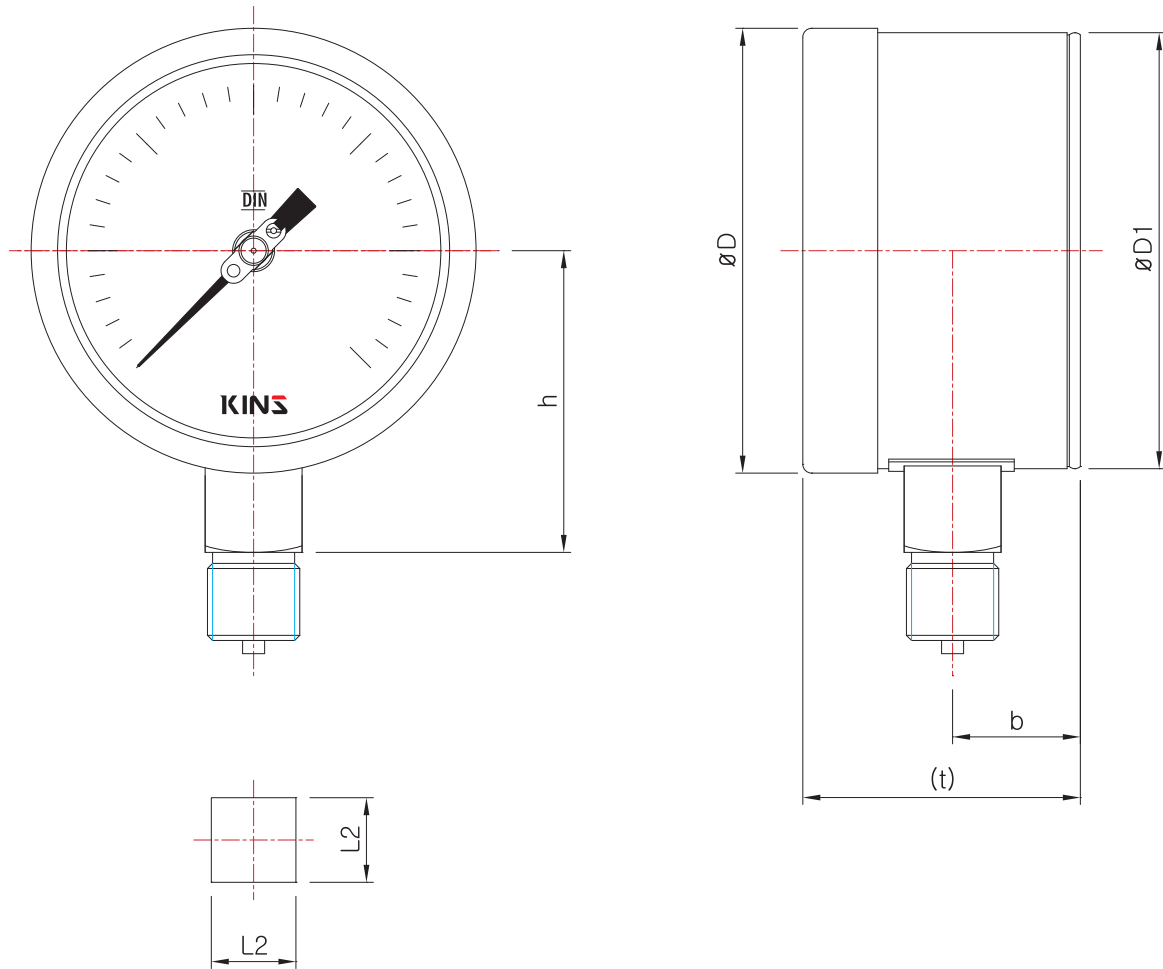
Indicator etc.

Technical data

Solid Front Safety Pressure Gauge

Model No. **SF-3020 Series**

Model No. | **SF-3021 (100mm)**
A Type (Rimless type)



Dimensions (mm)

Model No.	Conn'n (d)	øD	øD1	b	n	t	L2	h
SF-3021	NPT & PT, PF 3/8	101	99	29	-	(63)	22	(66.5)
	NPT & PT, PF 1/2							

*()The measurement in the blanket is approximate.